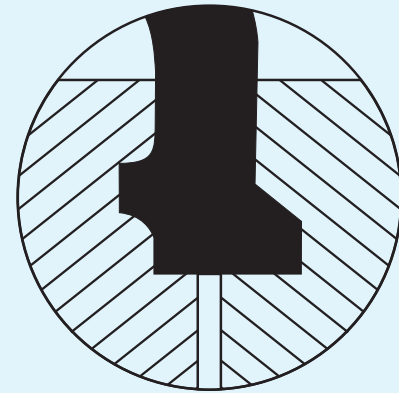


UNIQUEPLUS - DG

Magic Grip Tyre Couplings



UNIQUEPLUS DG Coupling is a revolutionary improvement over the conventional Single Gripped Design. It has a special DOUBLE GRIP feature, which gives a firm Grip of Tyre between the coupling. There is no possibility of Tyre slipping out neither in case of imperfect installation nor in case of any tear-off / breakage during running. Tyre is made of Neoprene Rubber with Rayon re-enforcements to improve flexibility and provide durability.

We also manufacture other series of tyre couplings i. e. PH, PX, TC & U Series.

Selection Procedure :

1. Determine the Service Factor applicable to the Driven Machines / Prime Mover combination.
2. Multiply the normal Running Power by the Service Factor to determine the Design Rating of the coupling by the following formula :-

$$\text{Design Rating in KW/100 RPM} = \frac{\text{Actual KW} \times \text{SF} \times 100}{\text{Actual RPM}}$$

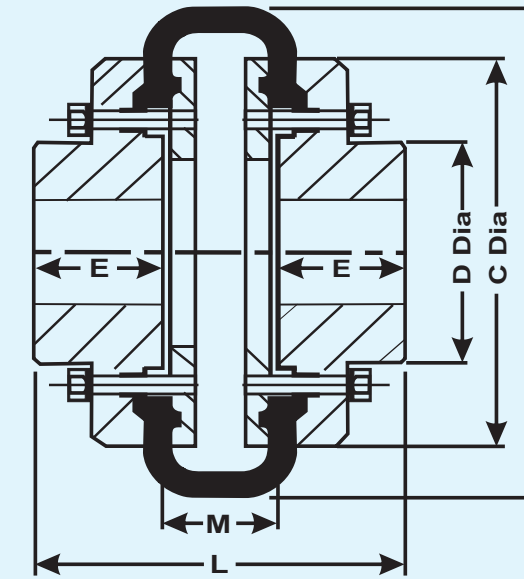
3. After determining the design rating, select coupling from Rating Table. Check from the table that the selected size can accommodate the required bores. If not, go in for next higher size that suits.

POWER TRANSMISSION

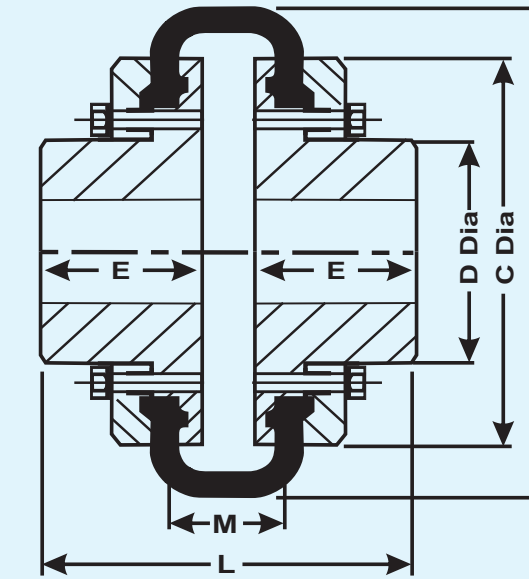
B E 40, HARI NAGAR, NEW DELHI 110 064
 Ph : 011-2512 8425, 30936658 Mob. : 98106 75700
 Web : www.uniquecoupling.com Email : mail@uniquecoupling.com



UNIQUEPLUS "DG" series Magic Grip Tyre Coupling



Size DG-40 to DG-120



Size DG-140 to DG-180

Technical & Dimensional Data

Size	Max Bore Mm	Rating		A mm	C mm	D mm	E mm	L Mm	M mm	KW Rating at common motor speeds				Wt. Kg.
		Cont. NM Torque	KW/100 RPM							585	960	1440	2880	
DG - 40	30	21	0.22	104	82	82	22	66	22	1.3	2.1	3.2	6.3	1.8
DG - 50	32	53	0.56	133	100	79	32	89	25	3.3	5.4	8.0	16	2.3
DG - 60	48	106	1.11	165	125	73	38	109	33	6.5	11	16	32	4.5
DG - 70	55	162	1.70	197	144	82	45	130	40	10	16	24	49	6.8
DG - 80	65	253	2.65	211	167	95	51	145	43	15	26	38	76	10.2
DG - 90	76	365	3.82	235	188	110	57	160	46	22	37	55	110	15.1
DG - 100	85	505	5.29	254	216	124	60	168	48	31	51	76	-	21.4
DG - 110	90	712	7.46	279	233	134	65	174	44	44	72	107	-	28.8
DG - 120	102	1182	12.4	314	264	152	76	201	49	73	119	178	-	35
DG - 140	120	1881	19.7	359	311	195	89	211	24	115	189	284	-	58
DG - 160	130	3113	32.6	395	345	200	104	234	30	191	297	338	-	86
DG - 180	155	5485	57.5	470	398	220	116	274	46	336	513	538	-	131