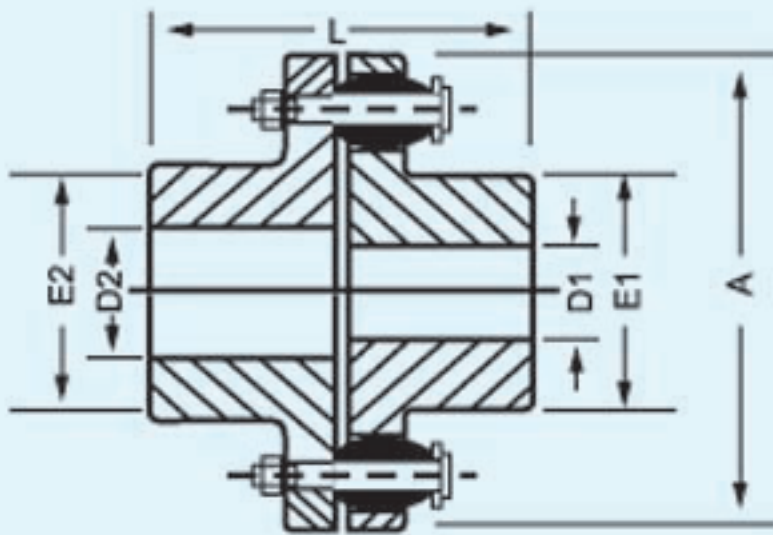
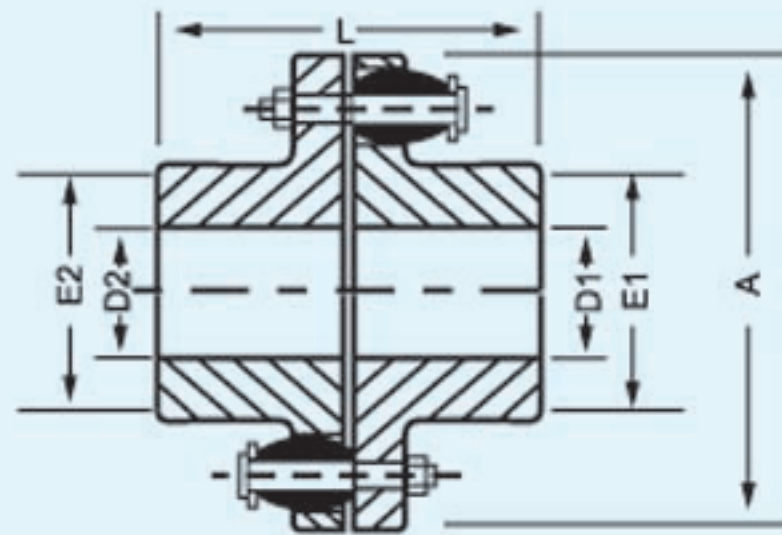


## UNIQUEPLUS - PB Pin Bush Couplings



upto Size 400



From size 450 onwards

### Technical & Dimensional Data

Size	No. of Pins	Rating		Max Speed RPM	Max. Bore (mm)		Approx. Dimensions (mm)				Weight Kg
		Torque NM	HP/100 RPM		D1	D2	A	E1	E2	L	
96	8	125	1.75	7200	28	30	96	44	50	35	1.7
112	10	250	3.5	6100	38	42	112	62	68	45	3.1
125	8	400	5.6	5500	40	48	125	65	75	50	4.4
140	10	520	7.3	4900	48	55	140	76	88	55	6.0
160	9	750	10.5	4500	55	60	160	85	95	60	8.6
180	10	1050	14.7	3800	65	70	180	102	112	70	12.6
200	12	1450	20.3	3400	75	80	200	120	128	80	17.5
225	11	2400	33.7	3000	85	90	225	134	144	90	25
250	12	3000	42.1	2700	95	105	250	154	164	100	34
285	11	4900	68.8	2400	105	110	285	166	176	110	50
320	12	6000	84	2100	120	125	320	190	195	125	70
360	11	10000	140	1900	130	135	360	205	210	140	97
400	10	14000	196	1700	135	145	400	218	230	160	131
450	12	21000	295	1500	160	160	450	255	255	180	186
500	14	27500	385	1350	180	180	500	290	290	200	261
560	10	33100	465	1200	200	200	560	320	320	220	391
630	12	46000	645	1050	160	160	630	300	300	240	515
710	12	80000	1122	950	180	180	710	350	350	290	570
800	14	110000	1543	850	220	220	800	420	420	290	760
900	16	190000	2666	750	250	250	900	470	470	340	1000

#### Note :

- Standard Construction with Cast Iron Hubs.
- Larger Bore capacities can be offered with steel hubs / hubs of special design.
- Higher speeds with forged steel hubs can be offered on demand.