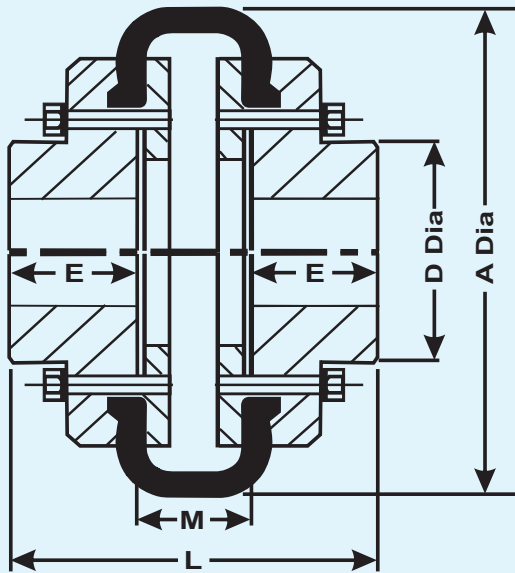
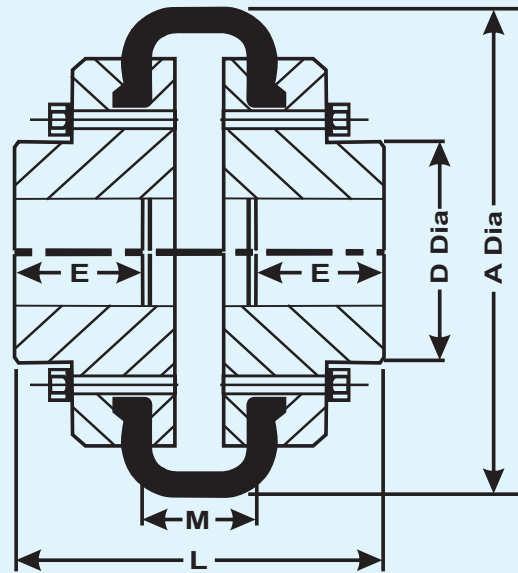


## "TC" series Tyre Couplings



Size upto TC/M/017



From Size TC/L/018 onwards

### Technical & Dimensional Data

Size	Max Bore mm	Max Speed RPM	Cont Rating		Approx. Dimensions (mm)					HP Rating at Different RPM			Weight Kg
			Torque NM	HP/100 RPM	A	L	D	E	M	960	1440	2880	
TC/X/006	22	5500	10	0.14	105	84	38	32	20	1.3	2.0	4.0	1.6
TC/W/007	24	5500	15	0.21	105	111	43	40	31	2.0	3.0	6.0	1.7
TC/V/008	28	5500	20	0.28	120	95	51	37	21	2.7	4.0	8.0	2.7
TC/U/009	32	5500	30	0.42	135	108	58	39	30	4.0	6.0	12.0	3.4
TC/US/0095	38	5500	39	0.55	144	120	66	48	24	5.3	8.0	16.0	5.2
TC/T/010	44	4400	45	0.63	160	132	71	49	34	6.0	9.0	18.0	6.4
TC/S/011	46	4300	55	0.77	164	133	75	51	31	7.5	11	22	7.7
TC/R/012	44	4200	70	0.98	176	147	71	53	41	9.5	14	28	7.4
TC/Q/013	50	3750	110	1.54	188	145	80	53	39	15	22	44	10
TC/P/014	55	3200	150	2.1	212	155	95	56	43	20	30	60	12
TC/O/015	70	2750	220	3.1	240	173	118	62	49	30	44	-	19
TC/N/016	85	2700	300	4.2	270	181	140	68	45	40	60	-	27
TC/M/017	90	2600	470	6.6	280	215	145	76	63	60	90	-	32
TC/L/018	95	2550	600	8.4	310	195	154	90	15	80	120	-	42
TC/K/019	100	2450	785	11.0	316	202	159	96	10	106	158	-	48
TC/J/020	125	2200	1200	16.8	370	225	203	110	6	161	242	-	79
TC/I/021	125	2000	1495	21.0	370	240	203	115	10	202	302	-	85
TC/H/022	140	1700	2390	33.6	412	256	237	118	20	323	484	-	115
TC/G/023	140	1600	3700	52.0	448	280	230	125	30	499	749	-	127
TC/F/024	170	1300	5360	75.2	530	282	315	128	26	722	-	-	218
TC/E/025	145	1250	6845	96.1	546	365	260	147	71	923	-	-	224